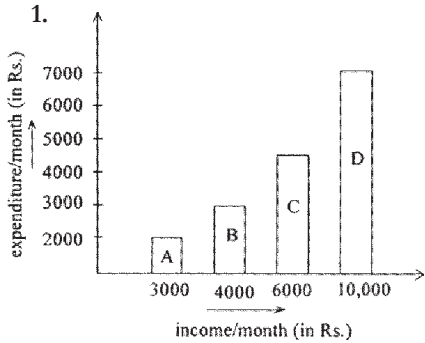


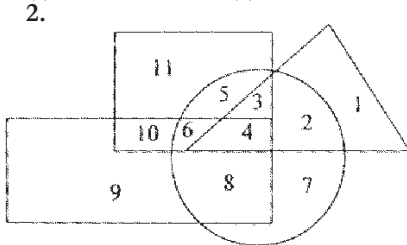
# Union Public Service Commission Central Police Force Exam October 2009 Question Paper (Fully Solved)

## GENERAL ABILITY AND INTELLIGENCE



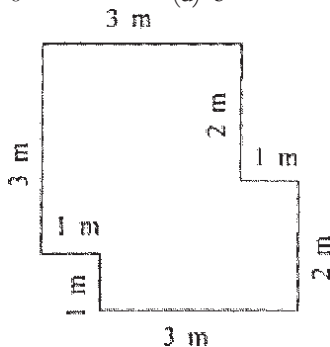
From the above graph, who out of the four persons A, B, C and D, saves the least percentage of his monthly income ?

- (a) A (b) B  
(c) C (d) D



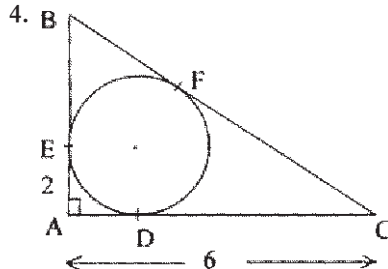
In the above diagram square represents boys, circle represents the tall persons, triangle represents tennis players, and rectangle represents the swimmers. Which one of the following numbers represents tall boys who are swimmers, but don't play tennis ?

- (a) 4 (b) 3  
(c) 6 (d) 5



The carpet area of a room with dimensions shown in the above diagram is :

- (a)  $10 \text{ m}^2$  (b)  $12 \text{ m}^2$   
(c)  $13 \text{ m}^2$  (d)  $14 \text{ m}^2$



In the figure given above  $\angle BAC = 90^\circ$ ,  $EA = 2$  and  $AC = 6$ . What is the value of  $BE$  ?

- (a) 2 (b) 4 (c) 6 (d) 10

5. 8 oranges cost as much as 5 apples, 5 apples as much as 3 mangoes, 4 mangoes as much as 8 pineapples. If 3 pineapples cost Rs. 36, then an orange's cost is :

- (a) Rs. 9 (b) Rs. 12  
(c) Rs. 6 (d) Rs. 15

6. If  $a \oplus b$  is defined as  $a^b + b^a$ , then consider :

- I  $2 \quad x = 100$  II  $4 \quad x = 145$   
III  $3 \quad x = 145$  IV  $6 \quad x = 100$

For which of the above, is  $x$  smallest ?

- (a) I (b) II  
(c) III (d) IV

7. In a test a candidate attempted only 15 questions and secured full marks in all of them. If he obtained 60% marks in the test and all the questions in the test carried equal marks, the number of questions in the test is :

- (a) 20 (b) 25 (c) 27 (d) 30

8. The grandfather's age is 4 years more than nine times the age of the grandson. The father's age of 40 years is 2 years less than six times the age of his son. The age of the grandfather is :

- (a) 77 years (b) 70 years  
(c) 67 years (d) 63 years

9. If  $4 = 10^{2m}$  and  $9 = 10^{2n}$ , then 0.15 equals to :

- (a)  $10^{2m-2n}$  (b)  $10^{m+n-1}$   
(c)  $10^{n-m+1}$  (d)  $10^{n-m-1}$

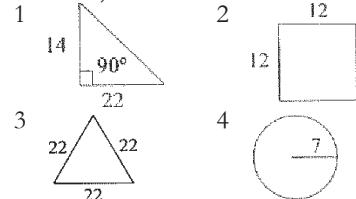
10. Among the following four diagrams, which one illustrates the relationships among citizens, voters and males ?

- (a) (b)   
(c) (d)

11. The mean age of combined group of men and women is 25 years. If the mean age of group of men is 26 and that of group of women is 21, then percentage of men and women in the group respectively is :

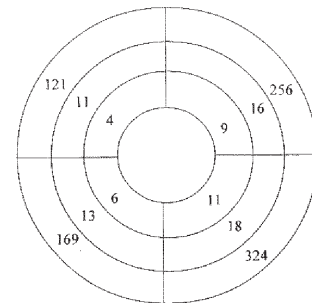
- (a) 60, 40 (b) 80, 20 (c) 30, 70 (d) 50, 50

12. Which two figures out of the following four have the same area (with same units) ?



- (a) 1 and 3 (b) 1 and 2  
(c) 2 and 4 (d) 1 and 4

13. Three circles are concentric as in the diagram given below. If a fourth innermost circle is drawn, what will be the number to be inscribed there ?



- (a) 8 (b) 7 (c) 3 (d) 1

14. The width of a rectangle is  $4x$  which is only 25% of its length. What are the area and the perimeter of the rectangle respectively ?

- (a)  $16x^2$  squnit and  $16x$  unit  
(b)  $20x^2$  squnit and  $40x$  unit  
(c)  $32x^2$  squnit and  $64x$  unit  
(d)  $64x^2$  squnit and  $40x$  unit

